

# Cover for mounting box

Cover for mounting box, IP20

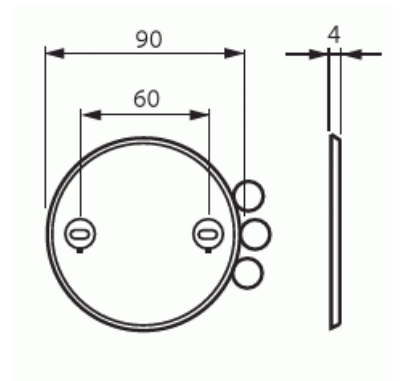
Type: AK5

Product ID: 2TKA001651G1

GTIN: 6410011525357



The AK5 is a smooth cover for use in dry conditions. It comes with masking plugs for hiding the screws. Made of halogen free material (IEC/61249-2-21).



## Technical specification

### Classification

Enclosure class:	IP20
------------------	------

### Packing

Package:	10/100/1000/12000
Unit:	PCS

### ETIM Data

Diameter:	90 mm
For box-/housing diameter:	71 mm
Length:	90 mm
Width:	90 mm

# Product Card

Cover for mounting box, IP20



Depth:	90 mm
Shape:	Round
Model:	Blind cover
With cable outlet:	No
Halogen free:	Yes
Colour:	White
With screws:	No
Sealable:	No