

Ceiling rose cover

Ceiling rose cover for junction box, IP 20

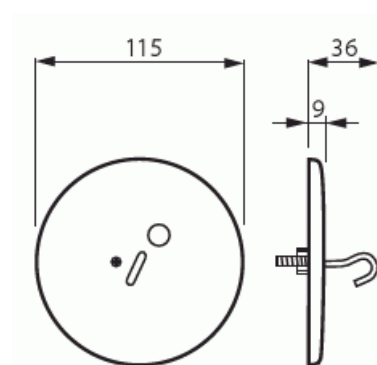
Type: AK20.1

Product ID: 2TKA001647G1

GTIN: 6410011525470



The AK20.1 ceiling rose cover is used in dry spaces for both flush and surface mounting when installing grounded crown luminaires. In surface mounting, the AKL2 extension ring is used. A max. 15 kg lighting appliance can be attached to the ceiling cover rose. Protection class 1.



Technical specification

Classification

Enclosure class:	IP20
------------------	------

Packing

Package:	5/50
Unit:	PCS

ETIM Data

Diameter:	115 mm
For box-/housing diameter:	95 mm
Length:	115 mm
Width:	115 mm

Product Card

Ceiling rose cover for junction box, IP 20



Depth:	115 mm
Shape:	Round
Model:	Cover with hook and clamp
With cable outlet:	Yes
Halogen free:	Yes
Colour:	White
With screws:	Yes
Sealable:	No