

Connection cover

For junction box, IP20

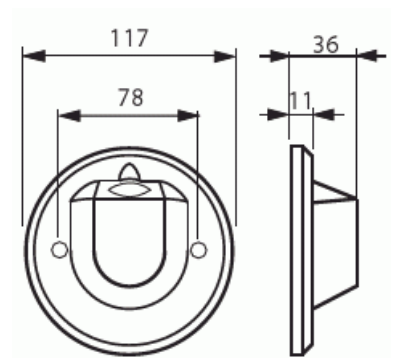
Type: AK12.1

Product ID: 2TKA001644G1

GTIN: 6410011525630



The AK 12.1 is a connection cover for junction boxes used in dry areas. The cover is equipped with a strain relief. Made of halogen free material (IEC/61249-2-21).



Technical specification

Classification

Enclosure class:	IP20
------------------	------

Packing

Package:	10/50
Unit:	PCS

ETIM Data

Diameter:	117 mm
For box-/housing diameter:	95 mm
Length:	117 mm
Width:	117 mm

Product Card

For junction box, IP20



Depth:	117 mm
Shape:	Round
Model:	Mounting cover
With cable outlet:	Yes
Halogen free:	Yes
Colour:	White
With screws:	Yes
Sealable:	No