

Product Card

Cover for junction box, IP 44



Cover, IP 44

Cover for junction box, IP 44

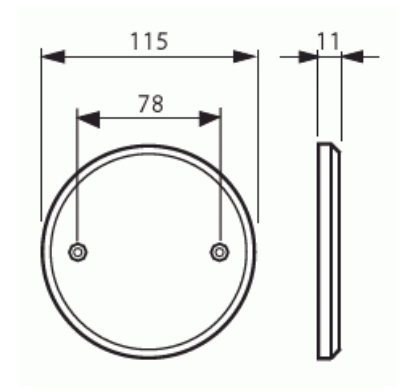
Type: AK11

Product ID: 2TKA001642G1

GTIN: 6418677333521



The AK11 is a smooth cover used in splash-proof conditions, IP44. In flush mounting it can be used with the junction boxes AU8 and AU19. Made of halogen free material (IEC/61249-2-21).



Technical specification

Classification

Enclosure class:	IP44
------------------	------

Packing

Package:	10/100
Unit:	PCS

ETIM Data

Diameter:	115 mm
For box-/housing diameter:	95 mm
Length:	115 mm
Width:	115 mm

Product Card

Cover for junction box, IP 44



Depth:	115 mm
Shape:	Round
Model:	Blind cover
With cable outlet:	No
Halogen free:	Yes
Colour:	White
With screws:	Yes
Sealable:	No