

# Cover for junction box

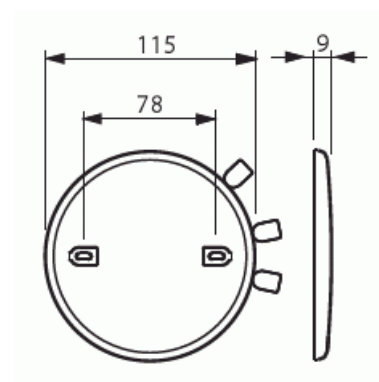
**Type:** AK1.1

**Product ID:** 2TKA001639G1

**GTIN:** 6410011525210



The AK1.1 is a smooth cover for use on junction boxes that have a screw distance of 70-78 mm. The AK1.1 is delivered with screws (M4 x 20 mm) and masking plugs. Made of halogen free material (IEC/61249-2-21).



## Technical specification

### Classification

Enclosure class:	IP20
------------------	------

### Packing

Package:	10/100
Unit:	PCS

### ETIM Data

Diameter:	115 mm
For box-/housing diameter:	95 mm
Length:	115 mm
Width:	115 mm

# Product Card

Cover for junction box



Depth:	115 mm
Shape:	Round
Model:	Blind cover
With cable outlet:	No
Halogen free:	Yes
Colour:	White
With screws:	Yes
Sealable:	No