

Product Card

Socket outlet, Jussi IP55, 2-gang Schuko, shuttered, screwless terminals, branching terminals



Socket outlet

Socket outlet, Jussi IP55, 2-gang Schuko, shuttered, screwless terminals, branching terminals



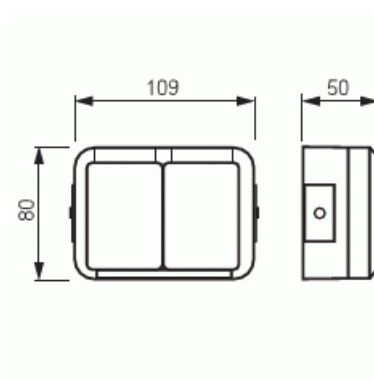
Type: 402ESW

Product ID: 2TKA000996G1

GTIN: 6418677334580



There are terminals for each contact of the socket outlet for max 4 rigid wires. 1 potential free X-terminal with screw connector. IP55 when lids are closed and installed horizontally (lids opening upwards). The lids are kept closed with a return spring when socket outlet is not in use.



Technical specification

Electrical quantities

Rated current:	16 A
Rated voltage:	250 V

Classification

Enclosure class:	IP55
------------------	------

Packing

Package:	10/100
Unit:	PCS

ETIM Data

© ABB 2024

Business ID 0763403-0

www.installationmaterials.com

Customer service

puh. +358 10 222 1999

contact.center@fi.abb.com

ABB Exchange

+358 10 22 11

Product Card

Socket outlet, Jussi IP55, 2-gang Schuko, shuttered, screwless terminals, branching terminals



Number of active pins (round):	2
With signal lamp:	No
Number of units:	2
Number of phases:	1
Imprint/indication:	None
Connection type:	Push-in clamp
With hinged lid:	No
With enhanced contact protection:	Yes
Label space/information surface:	No
Colour:	White
RAL-number (similar):	9010
Metallic colour:	No
Transparent:	No
Lockable:	No
Eject-mechanism:	No
Insulated mounting:	No
With function lighting:	No
With orientation lighting:	No
Over voltage protection:	No
Fault current protection:	No
With miniature fuse:	No
Special power supply:	No special power supply
Mounting method:	Surface mounted (plaster)
Type of fastening:	Mounting with screw
Material:	Plastic
Material quality:	Thermoplastic
Halogen free:	Yes
Surface protection:	Untreated
Surface finishing:	Glossy
Anti-bacterial treatment:	No
With loop through function:	No
With on/off switch:	No
Rotated central insert:	No
Nominal current:	16 A

Product Card

Socket outlet, Jussi IP55, 2-gang Schuko, shuttered, screwless terminals, branching terminals



Nominal voltage:	250 V
Frequency:	50 Hz
Suitable for degree of protection (IP):	IP55
Device width:	80 mm
Device height:	50 mm
Device depth:	109 mm