

Product Card

Signal light, Jussi IP55, Led 230V/25mA, red



Signal light

Signal light, Jussi IP55, Led 230V/25mA, red

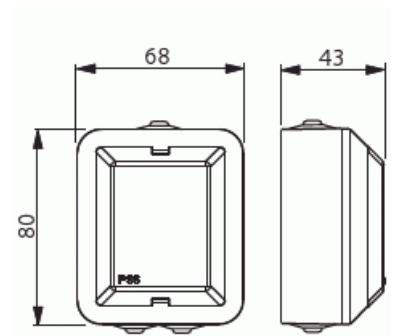
Type: 2661SW-12

Product ID: 2TKA000880G1

GTIN: 6418677335143



Surface mounting red signal light fitting with Led technology
230V/25mA, screw terminals.



Technical specification

Electrical quantities

| | |
|----------------|-------|
| Rated current: | 25 mA |
| Rated voltage: | 230 V |

Classification

| | |
|------------------|------|
| Enclosure class: | IP55 |
|------------------|------|

Packing

| | |
|----------|--------|
| Package: | 10/100 |
| Unit: | PCS |

ETIM Data

© ABB 2024

Business ID 0763403-0

www.installationmaterials.com

Customer service

puh. +358 10 222 1999

contact.center@fi.abb.com

ABB Exchange

+358 10 22 11

Product Card

Signal light, Jussi IP55, Led 230V/25mA, red



| | |
|---|---------------------------|
| Assembly arrangement: | Complete device |
| Lamp holder: | E10 |
| With light source: | Yes |
| Lamp type: | LED not exchangeable |
| With flashlight: | No |
| With fixed symbol/imprint: | No |
| With exchangeable symbol: | No |
| Application as button: | No |
| Mounting method: | Surface mounted (plaster) |
| Type of fastening: | Screw mounting |
| Material: | Plastic |
| Material quality: | Thermoplastic |
| Halogen free: | Yes |
| Surface protection: | Other |
| Surface finishing: | Matt |
| Colour: | White |
| RAL-number (similar): | 9010 |
| Transparent: | No |
| Colour light source: | Red |
| Suitable for degree of protection (IP): | IP55 |
| Nominal voltage: | 230 V |
| Device width: | 74 mm |
| Device height: | 50 mm |
| Device depth: | 80 mm |