

Product Card

Center plate, Impressivo, 100mm, blind, white



Center plate

Center plate, Impressivo, 100mm, blind, white

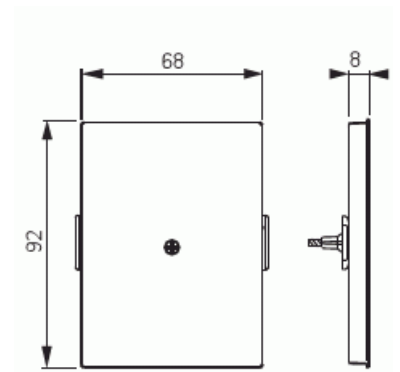
Type: 2538-100-84

Product ID: 2TKA000848G1

GTIN: 6418677332319



Enclosed cover plate. It is suitable for the 100mm cover frames. The manufacture material is a durable high quality plastic. The surface is glossy and easy to keep clean. Cleaning with a mild, standard household detergent. Be careful when cleaning with a powerful dissolvent.



Technical specification

Classification

| | |
|---|------|
| Suitable for degree of protection (IP): | IP21 |
|---|------|

Packing

| | |
|----------|---------------|
| Package: | 1/10/100/1800 |
| Unit: | PCS |

ETIM Data

| | |
|--------------------------------|---------------------|
| Model: | Central cover plate |
| Imprint/indication: | None |
| Scannable symbol/barrier free: | No |
| Utilization: | Other |

Product Card

Center plate, Impressivo, 100mm, blind, white



| | |
|---|----------------|
| Suitable for touch sensor connector for bus system: | No |
| Type of fastening: | Screw mounting |
| Monitoring window/light outlet: | No |
| Material: | Plastic |
| Material quality: | Thermoplastic |
| Halogen free: | Yes |
| Surface protection: | Untreated |
| Surface finishing: | Glossy |
| Anti-bacterial treatment: | No |
| Colour: | White |
| RAL-number (similar): | 9016 |
| With label area: | No |
| With exchangeable lens/symbol: | No |
| Impact strength: | IK00 |
| Width: | 68 mm |
| Height: | 90 mm |
| Depth: | 15 mm |