

Product Card

Adapter, Impressivo, 85/100mm, anthracite



Adapter

Adapter, Impressivo, 85/100mm, anthracite

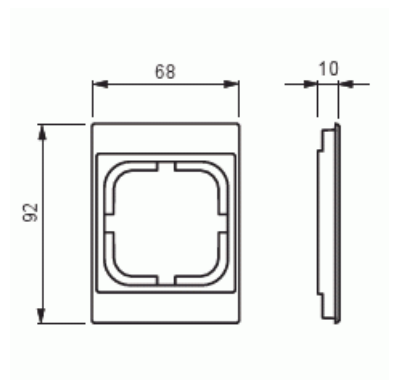
Type: 2519-81

Product ID: 2TKA000804G1

GTIN: 6418677328237



With the aid of an adaptor, 1-gang center plated accessories can be mounted in 100mm 2-gang cover frames. The manufacture material is a durable high quality plastic. The surface is glossy and easy to keep clean. Cleaning with a mild, standard household detergent. Be careful when cleaning with a powerful dissolvent.



Technical specification

Packing

Package:	1/20/200/3600
Unit:	PCS

ETIM Data

Number of units:	1
Mounting direction:	Horizontal and vertical
Number of units horizontal:	1
Number of units vertical:	1
With mounting grid:	No
Flush-mounted installation:	Yes
Suitable for floor box:	No

Product Card

Adapter, Impressivo, 85/100mm, anthracite



Suitable for wall duct:	No
Suitable for built-in installation:	No
Label space/information surface:	No
Material:	Plastic
Material quality:	Thermoplastic
Halogen free:	Yes
Anti-bacterial treatment:	No
Surface protection:	Untreated
Surface finishing:	Glossy
Colour:	Anthracite
RAL-number (similar):	7021
Transparent:	No
With hinged lid:	No
Degree of protection (IP):	IP21
Width:	68 mm
Height:	10 mm
Depth:	92 mm
Built-in width:	92 mm
Built-in height:	68 mm
Diameter bore hole (opening):	74 mm