

Product Card

Adapter, Jussi, 1/2-gang. for 85/100mm cover frames



Adapter

Adapter, Jussi, 1/2-gang. for 85/100mm cover frames

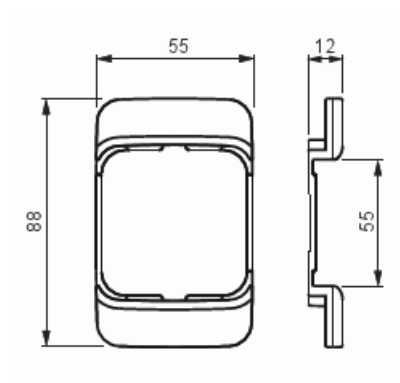
Type: 2519-100

Product ID: 2TKA000802G1

GTIN: 6410021661199



Use to adapt Jussi-device to Jussi 100mm cover frames



Technical specification

Packing

Package:	5/50/500/6000
Unit:	PCS

ETIM Data

Number of units:	1
Mounting direction:	Horizontal and vertical
Number of units horizontal:	1
Number of units vertical:	1
With mounting grid:	No
Flush-mounted installation:	Yes
Suitable for floor box:	No

Product Card

Adapter, Jussi, 1/2-gang. for 85/100mm cover frames



Suitable for wall duct:	Yes
Suitable for built-in installation:	No
Label space/information surface:	No
Material:	Plastic
Material quality:	Thermoplastic
Halogen free:	Yes
Anti-bacterial treatment:	No
Surface protection:	Untreated
Surface finishing:	Matt
Colour:	White
RAL-number (similar):	9010
Transparent:	No
With hinged lid:	No
Degree of protection (IP):	IP21
Width:	54 mm
Height:	10 mm
Depth:	86 mm
Built-in width:	86 mm
Built-in height:	54 mm
Diameter bore hole (opening):	74 mm