

Product Card

Switch rocker, Jussi, 2-gang, screw fastening



Switch rocker

Switch rocker, Jussi, 2-gang, screw fastening

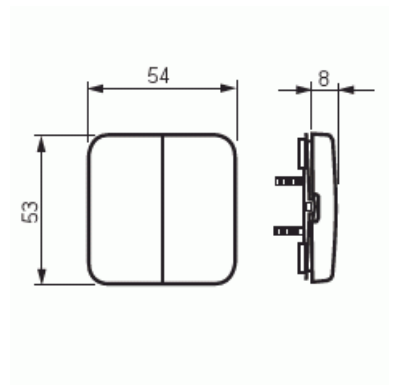
Type: 2505-212R

Product ID: 2TKA000773G1

GTIN: 6410021061470



Jussi-rocker for Jussi and Impressivo Jussi-switches and push switches, screw fastening.



Technical specification

Classification

Protection class:	IP21
-------------------	------

Packing

Package:	20/200
Unit:	PCS

ETIM Data

Model:	Two-part rocker
Imprint/indication:	None
Scannable symbol/barrier free:	No
Utilization:	Switch/push button

Product Card

Switch rocker, Jussi, 2-gang, screw fastening



Suitable for touch sensor connector for bus system:	No
Type of fastening:	Screw mounting
Monitoring window/light outlet:	No
Material:	Plastic
Material quality:	Thermoplastic
Halogen free:	Yes
Surface protection:	Other
Surface finishing:	Matt
Anti-bacterial treatment:	No
Colour:	White
RAL-number (similar):	9010
With label area:	No
With exchangeable lens/symbol:	No
Suitable for degree of protection (IP):	IP20
Impact strength:	IK00
Width:	54 mm
Height:	25 mm
Depth:	54 mm