

Surface mounting box

Surface mounting box for flush mounted products, h=26mm

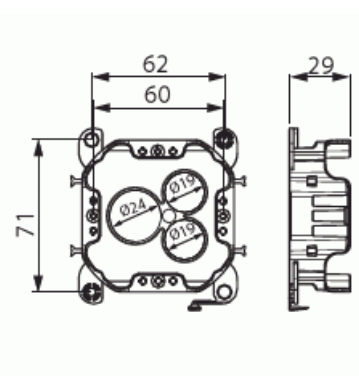
Type: 2456.26

Product ID: 2TKA000769G1

GTIN: 6418677331299



Impressivo flush mounting products are able to be surface mounted with surface mounting frames and surface mounting box. Using center plates with lid the socket outlets are water protected (IP44). The switches and push switches are also water protected (IP44) when using screw mounted rocker frames (2474 or 2475). In the cases of the other products than socket outlets and switches the water protection depends on the water protection of the center plate.



Technical specification

Dimensions

Dimensions:	85x85 mm
-------------	----------

Packing

Package:	10/100
Unit:	PCS

ETIM Data

Assembly arrangement:	Housing base
Suitable for modular domestic switching devices:	No
Number of units:	1

Product Card

Surface mounting box for flush mounted products, h=26mm



Mounting direction:	Horizontal and vertical
Shape:	Rectangular
Material:	Plastic
Material quality:	Thermoplastic
Halogen free:	Yes
Surface protection:	Untreated
Surface finishing:	Matt
Colour:	White
Transparent:	No
With cover frame:	No
With duct entry:	No
With cable entry:	No
With screw gland entry:	No
Shock resistant:	No
Degree of protection (IP):	IP21
Width:	26 mm
Height:	70 mm
Depth:	80 mm
Device width:	26
Device height:	70
Device depth:	80