

## Product Card

Socket outlet, Jussi, Schuko, 1-gang, shuttered, screw terminals



# Socket outlet

Socket outlet, Jussi, Schuko, 1-gang, shuttered, screw terminals

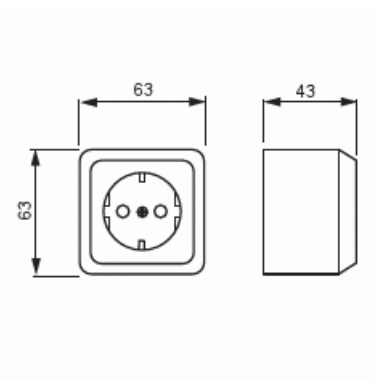
**Type:** 23EAKS

**Product ID:** 2TKA000767G1

**GTIN:** 6410024061118



There are terminals for each contact of the socket outlet. The terminals are for max 2 rigid wires.



## Technical specification

### Electrical quantities

Rated current:	16 A
Rated voltage:	250 V

### Classification

Enclosure class:	IP21
------------------	------

### Packing

Package:	10/100
Unit:	PCS

### ETIM Data

© ABB 2024

Business ID 0763403-0

[www.installationmaterials.com](http://www.installationmaterials.com)

**Customer service**

puh. +358 10 222 1999

[contact.center@fi.abb.com](mailto:contact.center@fi.abb.com)

**ABB Exchange**

+358 10 22 11

# Product Card

Socket outlet, Jussi, Schuko, 1-gang, shuttered, screw terminals



Number of active pins (round):	2
With signal lamp:	No
Number of units:	2
Number of phases:	1
Imprint/indication:	None
Connection type:	Screwed terminal
With hinged lid:	No
With enhanced contact protection:	Yes
Label space/information surface:	No
Colour:	White
RAL-number (similar):	9010
Metallic colour:	No
Transparent:	No
Lockable:	No
Eject-mechanism:	No
Insulated mounting:	No
With function lighting:	No
With orientation lighting:	No
Over voltage protection:	No
Fault current protection:	No
With miniature fuse:	No
Special power supply:	No special power supply
Mounting method:	Surface mounted (plaster)
Type of fastening:	Mounting with screw
Material:	Plastic
Material quality:	Thermoplastic
Halogen free:	Yes
Surface protection:	Untreated
Surface finishing:	Glossy
Anti-bacterial treatment:	No
With loop through function:	No
With on/off switch:	No
Rotated central insert:	No
Nominal current:	16 A

# Product Card

Socket outlet, Jussi, Schuko, 1-gang, shuttered, screw terminals



Nominal voltage:	250 V
Frequency:	50 Hz
Suitable for degree of protection (IP):	IP21
Device width:	63 mm
Device height:	43 mm
Device depth:	63 mm