

Product Card

2-gang push switch, Jussi, for up/down control



Push switch

2-gang push switch, Jussi, for up/down control

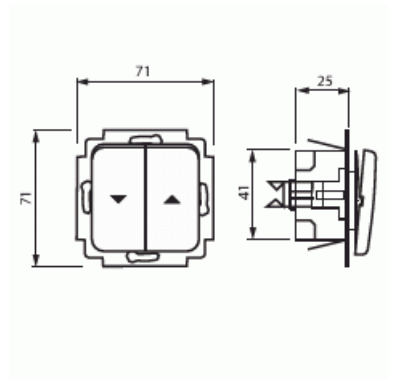
Type: 2020/4U-101-212

Product ID: 2TKA000641G1

GTIN: 6410021260156



Push switch with screwless terminals and rocker with clip-on fastening. The terminals are for max 2 rigid wires. Use e.g. for controlling opening/closing of blinds and shutters. By the construction it is disabled to push the both rockers simultaneously.



Technical specification

Electrical quantities

Rated current:	10 A
Rated voltage:	250 V

Classification

Enclosure class:	IP20
------------------	------

Packing

Package:	10/100
Unit:	PCS

ETIM Data

© ABB 2024

Business ID 0763403-0

www.installationmaterials.com

Customer service

puh. +358 10 222 1999

contact.center@fi.abb.com

ABB Exchange

+358 10 22 11

Product Card

2-gang push switch, Jussi, for up/down control



Assembly arrangement:	Basic element with central cover plate
Model:	Group push button
Method of operation:	Push button
Number of contacts as normally open contact:	1
Contactless type:	No
Number of rockers:	2
Number of poles:	1
Nominal voltage:	250 V
Rated current:	10 A
With lighting:	No
Feedback-signal contact:	No
Connection type:	Push-in clamp
Mounting method:	Flush mounted (plaster)
Type of fastening:	Screw mounting
Material:	Plastic
Material quality:	Thermoplastic
Halogen free:	Yes
Anti-bacterial treatment:	No
Surface protection:	Untreated
Colour:	White
RAL-number (similar):	9010
Transparent:	No
Label space/information surface:	No
Imprint:	None
Suitable for degree of protection (IP):	IP20
Impact strength:	IK00
Device width:	70 mm
Device height:	35 mm
Device depth:	70 mm
Min. depth of built-in installation box:	25 mm
Compatible with Apple HomeKit:	No
Compatible with Google Assistant:	No
Compatible with Amazon Alexa:	No
IFTTT support available:	No

Product Card

2-gang push switch, Jussi, for up/down control



—
© ABB 2024

Business ID 0763403-0

www.installationmaterials.com

—
Customer service

puh. +358 10 222 1999

contact.center@fi.abb.com

—
ABB Exchange

+358 10 22 11