

## Product Card

Adapter for DKS-system, XLR D-type or Speakon audio connector



# Adapter

Adapter for DKS-system, XLR D-type or Speakon audio connector

**Type:** 1876EB

**Product ID:** 2TKA000626G1

**GTIN:** 4011395022566



The adapters 18xxEB and the center plates 1758-xx form the DKS-system. You can use the DKS-system to fix many kinds of tele-connectors to Impressivo- or Jussi-series.

## Technical specification

### Classification

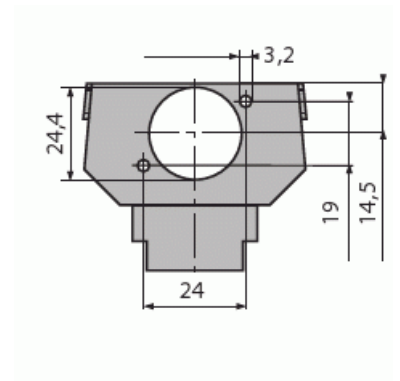
Suitable for degree of protection (IP):	IP20
---	------

### Packing

Package:	10/100
Unit:	PCS

### ETIM Data

Assembly arrangement:	Control element
Utilization:	XLR
Support ring:	No
With dust cover:	No
With hinged lid:	No
Imprintable label:	Without indication field



# Product Card

Adapter for DKS-system, XLR D-type or Speakon audio connector



With imprint:	No
Mounting method:	Flush mounted (plaster)
Material:	Plastic
Material quality:	Thermoplastic
Halogen free:	Yes
Surface protection:	Untreated
Surface finishing:	Matt
Colour:	Anthracite
RAL-number (similar):	7021
Transparent:	No
Type of fastening:	Other
With strain relief:	No
Luster terminal:	No