

Product Card

Adapter for DKS-system, D-type 9-pin connector



Adapter

Adapter for DKS-system, D-type 9-pin connector

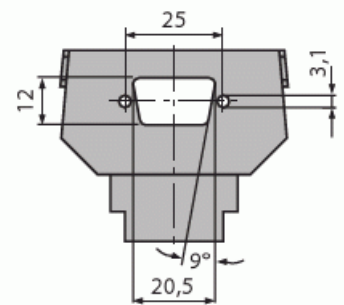
Type: 1850EB

Product ID: 2TKA000612G1

GTIN: 6438100605308



The adapters 18xxEB and the center plates 1758-xx form the DKS-system. You can use the DKS-system to fix many kinds of tele-connectors to Impressivo- or Jussi-series.



Technical specification

Classification

Suitable for degree of protection (IP):	IP20
---	------

Packing

Package:	10/100
----------	--------

Unit:	PCS
-------	-----

ETIM Data

Assembly arrangement:	Basic element
-----------------------	---------------

Utilization:	D-sub-miniature
--------------	-----------------

Support ring:	No
---------------	----

With dust cover:	No
------------------	----

Product Card

Adapter for DKS-system, D-type 9-pin connector



With hinged lid:	No
Outlet direction:	Straight
Imprintable label:	Without indication field
With imprint:	No
Mounting method:	Flush mounted (plaster)
Material:	Plastic
Material quality:	Thermoplastic
Halogen free:	Yes
Anti-bacterial treatment:	No
Surface protection:	Untreated
Surface finishing:	Matt
Colour:	Black
Transparent:	No
Suitable for number of connectors:	1
With strain relief:	No
Shielded buses:	No
Shielded housing:	No
Luster terminal:	No
With lighting:	No
Impact strength:	IK00
Device width:	45 mm
Device height:	10 mm
Device depth:	60 mm