

## Product Card

Switch rocker, Impressivo, 1-gang, red lens, "1/0" symbol, aluminum



# Switch rocker

Switch rocker, Impressivo, 1-gang, red lens, "1/0" symbol, aluminum

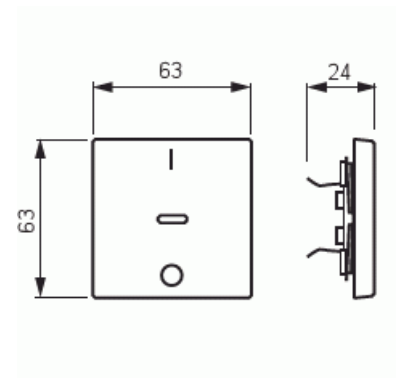
**Type:** 1788-83

**Product ID:** 2TKA000550G1

**GTIN:** 6418677328961



1-gang switch rocker, that only fits to switch inserts 1062.xx and 1063.xx. Can be installed in dry indoor spaces. When flush mounted into humid spaces or outdoors a seal kit and screw fastening of the rocker frame must be used. Manufactured from a durable high quality plastic material. The surface is glossy and easy to keep clean. Cleaning with a mild, standard household detergent. Be careful when cleaning with a powerful dissolvent.



## Technical specification

### Classification

Suitable for degree of protection (IP):	IP20
---	------

### Packing

Package:	1/10/100/2800
Unit:	PCS

### ETIM Data

Model:	Single rocker
Imprint/indication:	Symbol "0"
Scannable symbol/barrier free:	No

# Product Card

Switch rocker, Impressivo, 1-gang, red lens, "1/0" symbol, aluminium



Utilization:	Switch/push button
Suitable for touch sensor connector for bus system:	No
Type of fastening:	Clamp mounting
Monitoring window/light outlet:	Yes
Material:	Plastic
Material quality:	Thermoplastic
Halogen free:	Yes
Surface protection:	Lacquered
Surface finishing:	Matt
Anti-bacterial treatment:	No
Colour:	Aluminium
RAL-number (similar):	9006
With label area:	No
With exchangeable lens/symbol:	No
Impact strength:	IK00
Width:	63 mm
Height:	63 mm
Depth:	25 mm