

Product Card

Switch rocker, Impressivo, 1-gang, aluminum



Switch rocker

Switch rocker, Impressivo, 1-gang, aluminum

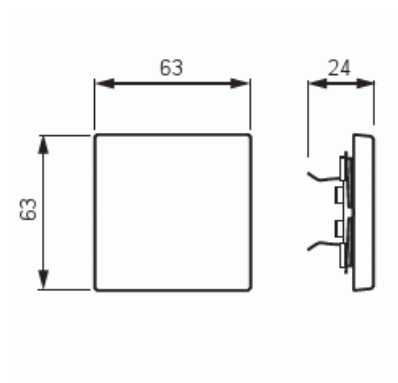
Type: 1786-83

Product ID: 2TKA000542G1

GTIN: 6418677328886



1-gang rocker for all 1-rocker switch inserts. Can be installed in dry indoor spaces. When flush mounted into humid spaces or outdoors a seal kit and screw fastening of the rocker frame must be used. Manufactured from a durable high quality plastic material. The surface is glossy and easy to keep clean. Cleaning with a mild, standard household detergent. Be careful when cleaning with a powerful dissolvent.



Technical specification

Classification

Suitable for degree of protection (IP):	IP20
Protection class:	IP21

Packing

Package:	1/10/100/2800
Unit:	PCS

ETIM Data

Model:	Single rocker
Imprint/indication:	None

Product Card

Switch rocker, Impressivo, 1-gang, aluminum



Scannable symbol/barrier free:	No
Utilization:	Switch/push button
Suitable for touch sensor connector for bus system:	No
Type of fastening:	Clamp mounting
Monitoring window/light outlet:	No
Material:	Plastic
Material quality:	Thermoplastic
Halogen free:	Yes
Surface protection:	Lacquered
Surface finishing:	Matt
Anti-bacterial treatment:	No
Colour:	Aluminium
RAL-number (similar):	9006
With label area:	No
With exchangeable lens/symbol:	No
Impact strength:	IK00
Width:	63 mm
Height:	63 mm
Depth:	25 mm