

Center plate

Center plate, Impressivo, TV/R/Sat, anthracite

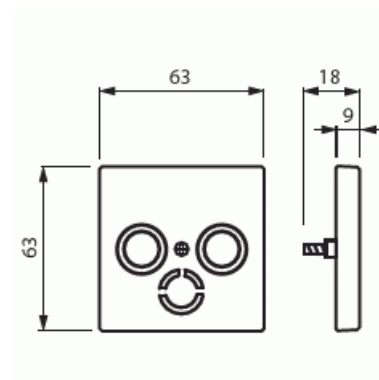
Type: 1743-81

Product ID: 2TKA000463G1

GTIN: 4011395056295



Center plate for the most common antenna outlet inserts. The terminal opening “Sat” is closed, but it can be opened at the installation location. It is suitable for the 85mm cover frames and with the 2519-xx adapter also for the 100mm cover frames. The manufacture material is a durable high quality plastic. The surface is glossy and easy to keep clean. Cleaning with a mild, standard household detergent. Be careful when cleaning with a powerful dissolvent.



Technical specification

Classification

Suitable for degree of protection (IP):	IP20
---	------

Packing

Package:	1/10/100/2800
Unit:	PCS

ETIM Data

Assembly arrangement:	Central cover plate
Utilization:	SAT
Support ring:	No

Product Card

Center plate, Impressivo, TV/R/Sat, anthracite



With dust cover:	No
With hinged lid:	No
Outlet direction:	Straight
Imprintable label:	Without indication field
With imprint:	No
Mounting method:	Flush mounted (plaster)
Material:	Plastic
Material quality:	Thermoplastic
Halogen free:	Yes
Anti-bacterial treatment:	No
Surface protection:	Untreated
Surface finishing:	Glossy
Colour:	Anthracite
RAL-number (similar):	7021
Transparent:	No
Type of fastening:	Mounting with screw
Number of modules (module system):	1
With buses/couplings:	No
Suitable for number of connectors:	3
With strain relief:	No
Shielded buses:	No
Shielded housing:	No
Luster terminal:	No
With lighting:	No
Device width:	63 mm
Device height:	63 mm
Device depth:	9 mm
Min. depth of built-in installation box:	32 mm