

Product Card

Cover frame, Impressivo, 100mm, 3-gang, aluminum



Cover frame

Cover frame, Impressivo, 100mm, 3-gang, aluminum

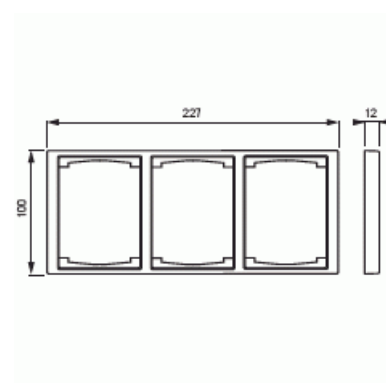
Type: 1723F100-83

Product ID: 2TKA000367G1

GTIN: 6418677328084



Flush mounting cover plate for 2-gang cover plated accessories, such as double socket outlets. Also 1-gang accessories, such as switches, can be mounted with the adaptor 2519-xx. Suitable for both horizontal and vertical installation. The manufacture material is a durable high quality plastic. The surface is glossy and easy to keep clean. Cleaning with a mild, standard household detergent. Be careful when cleaning with a powerful dissolvent.



Technical specification

Packing

| | |
|----------|------------|
| Package: | 1/5/50/900 |
| Unit: | PCS |

ETIM Data

| | |
|-----------------------------|-------------------------|
| Number of units: | 1 |
| Mounting direction: | Horizontal and vertical |
| Number of units horizontal: | 1 |
| Number of units vertical: | 1 |
| With mounting grid: | No |
| Flush-mounted installation: | Yes |
| Suitable for floor box: | No |

Product Card

Cover frame, Impressivo, 100mm, 3-gang, aluminum



| | |
|-------------------------------------|-------------------------|
| Suitable for wall duct: | No |
| Suitable for built-in installation: | No |
| Label space/information surface: | No |
| Material: | Plastic |
| Material quality: | Thermoplastic |
| Halogen free: | Yes |
| Anti-bacterial treatment: | No |
| Surface protection: | Untreated |
| Surface finishing: | Glossy |
| Colour: | Aluminium |
| RAL-number (similar): | 9006 |
| Transparent: | No |
| With hinged lid: | No |
| Degree of protection (IP): | IP21 |
| Type of fastening: | Clamping/screw mounting |
| Width: | 100 mm |
| Height: | 12 mm |
| Depth: | 227 mm |
| Built-in width: | 227 mm |
| Built-in height: | 100 mm |
| Diameter bore hole (opening): | 74 mm |