

## Product Card

Surface mounting frame, Impressivo, 85mm, h=40mm, 1-gang, aluminum



# Surf. Mount. frame

Surface mounting frame, Impressivo, 85mm, h=40mm, 1-gang, aluminum

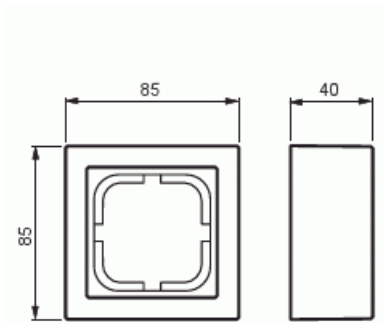
**Type:** 1721S85-83

**Product ID:** 2TKA000300G1

**GTIN:** 6418677331008



Impressivo flush mounting products are able to be surface mounted with surface mounting frames and surface mounting box (2456.26). Using center plates with lid the socket outlets are water protected (IP44). The switches and push switches are also water protected (IP44) when using screw mounted rocker frames (2474 or 2475). In the cases of the other products than socket outlets and switches the water protection depends on the water protection of the center plate. The manufacture material is a durable high quality plastic. The surface is glossy and easy to keep clean. Cleaning with a mild, standard household detergent. Be careful when cleaning with a powerful dissolvent.



## Technical specification

### Packing

Package:	1/50
Unit:	PCS

### ETIM Data

Assembly arrangement:	Surface mounted housing
Suitable for modular domestic switching devices:	No
Number of units:	1

# Product Card

Surface mounting frame, Impressivo, 85mm, h=40mm, 1-gang, aluminum



Mounting direction:	Horizontal and vertical
Shape:	Rectangular
Material:	Plastic
Material quality:	Thermoplastic
Halogen free:	Yes
Surface protection:	Lacquered
Surface finishing:	Matt
Colour:	Aluminium
RAL-number (similar):	9006
Transparent:	No
With cover frame:	No
With duct entry:	No
With cable entry:	No
With screw gland entry:	No
Shock resistant:	No
Degree of protection (IP):	IP21
Width:	40 mm
Height:	85 mm
Depth:	85 mm
Device width:	40
Device height:	85
Device depth:	85