

## Product Card

Cover frame, Impressivo, 100mm, 1-gang, aluminum



# Cover frame

Cover frame, Impressivo, 100mm, 1-gang, aluminum

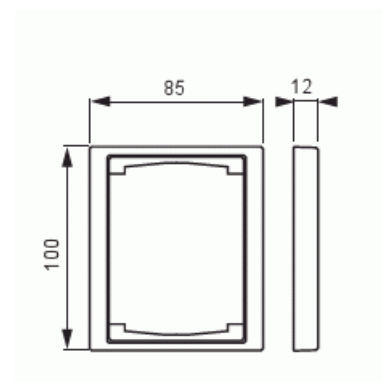
**Type:** 1721F100-83

**Product ID:** 2TKA000277G1

**GTIN:** 6418677328008



Flush mounting cover plate for 2-gang cover plated accessories, such as double socket outlets. Also 1-gang accessories, such as switches, can be mounted with the adaptor 2519-xx. Suitable for both horizontal and vertical installation. The manufacture material is a durable high quality plastic. The surface is glossy and easy to keep clean. Cleaning with a mild, standard household detergent. Be careful when cleaning with a powerful dissolvent.



## Technical specification

### Packing

|          |               |
|----------|---------------|
| Package: | 1/10/100/2800 |
| Unit:    | PCS           |

### ETIM Data

|                             |                         |
|-----------------------------|-------------------------|
| Number of units:            | 1                       |
| Mounting direction:         | Horizontal and vertical |
| Number of units horizontal: | 1                       |
| Number of units vertical:   | 1                       |
| With mounting grid:         | No                      |
| Flush-mounted installation: | Yes                     |
| Suitable for floor box:     | No                      |

# Product Card

Cover frame, Impressivo, 100mm, 1-gang, aluminum



|                                     |                         |
|-------------------------------------|-------------------------|
| Suitable for wall duct:             | No                      |
| Suitable for built-in installation: | No                      |
| Label space/information surface:    | No                      |
| Material:                           | Plastic                 |
| Material quality:                   | Thermoplastic           |
| Halogen free:                       | Yes                     |
| Anti-bacterial treatment:           | No                      |
| Surface protection:                 | Untreated               |
| Surface finishing:                  | Glossy                  |
| Colour:                             | Aluminium               |
| RAL-number (similar):               | 9006                    |
| Transparent:                        | No                      |
| With hinged lid:                    | No                      |
| Degree of protection (IP):          | IP21                    |
| Type of fastening:                  | Clamping/screw mounting |
| Width:                              | 100 mm                  |
| Height:                             | 12 mm                   |
| Depth:                              | 85 mm                   |
| Built-in width:                     | 85 mm                   |
| Built-in height:                    | 100 mm                  |
| Diameter bore hole (opening):       | 74 mm                   |