

Product Card

1-gang 2-way push switch, Jussi IP44, N-terminal, lamp not included



Push switch

1-gang 2-way push switch, Jussi IP44, N-terminal, lamp not included

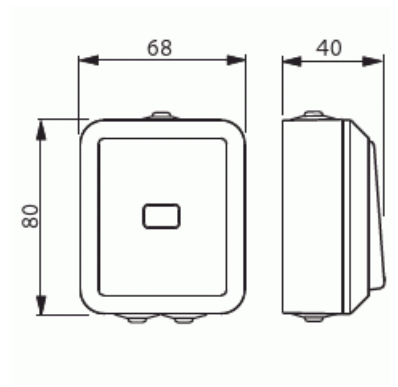
Type: 1466SW

Product ID: 2TKA000238G1

GTIN: 6418677334573



Surface mounting push switch with screwless terminals. The terminals are for max 2 rigid wires. Delivered with white and clear lens but without lamp.



Technical specification

Electrical quantities

Nominal voltage:	250 V
------------------	-------

Classification

Suitable for degree of protection (IP):	IP44
---	------

Packing

Package:	10/100
----------	--------

Unit:	PCS
-------	-----

ETIM Data

Assembly arrangement:	Basic element with complete housing
-----------------------	-------------------------------------

Product Card

1-gang 2-way push switch, Jussi IP44, N-terminal, lamp not included



Model:	Single push button
Method of operation:	Push button
Number of contacts as normally open contact:	2
Contactless type:	No
Number of rockers:	1
Number of poles:	1
Rated current:	10 A
With lighting:	No
With light source:	Yes
With signal lamp:	Yes
Feedback-signal contact:	No
Connection type:	Push-in clamp
Mounting method:	Surface mounted (plaster)
Type of fastening:	Screw mounting
Material:	Plastic
Material quality:	Thermoplastic
Halogen free:	Yes
Anti-bacterial treatment:	No
Surface protection:	Untreated
Colour:	White
RAL-number (similar):	9010
Transparent:	No
Label space/information surface:	No
Impact strength:	IK00
Device width:	68 mm
Device height:	43 mm
Device depth:	80 mm
Min. depth of built-in installation box:	18 mm
Compatible with Apple HomeKit:	No
Compatible with Google Assistant:	No
Compatible with Amazon Alexa:	No
IFTTT support available:	No