

## Product Card

2-gang 1-way push switch, 16A, Jussi, no X-terminals



# Push switch

2-gang 1-way push switch, 16A, Jussi, no X-terminals

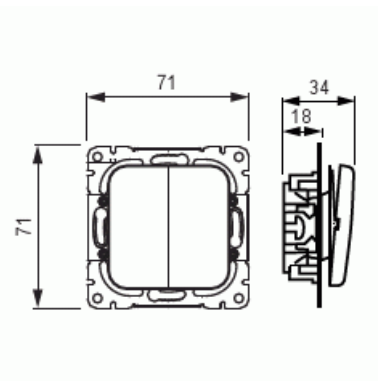
**Type:** 1465U

**Product ID:** 2TKA000231G1

**GTIN:** 6410021260132



Push switch with screwless terminals and rocker with clip-on fastening. The terminals are for max 2 rigid wires.



## Technical specification

### Electrical quantities

Rated current:	16 A
Rated voltage:	250 V

### Classification

Protection class:	IP21
-------------------	------

### Packing

Package:	10/100
Unit:	PCS

### ETIM Data

© ABB 2024

Business ID 0763403-0

[www.installationmaterials.com](http://www.installationmaterials.com)

Customer service

puh. +358 10 222 1999

[contact.center@fi.abb.com](mailto:contact.center@fi.abb.com)

ABB Exchange

+358 10 22 11

# Product Card

2-gang 1-way push switch, 16A, Jussi, no X-terminals



Assembly arrangement:	Basic element with central cover plate
Model:	Series push button
Method of operation:	Push button
Number of contacts as normally open contact:	1
Contactless type:	No
Number of rockers:	2
Number of poles:	1
Nominal voltage:	250 V
Rated current:	10 A
With lighting:	No
Feedback-signal contact:	No
Connection type:	Push-in clamp
Mounting method:	Flush mounted (plaster)
Type of fastening:	Mounting with claw and screw
Material:	Plastic
Material quality:	Thermoplastic
Halogen free:	Yes
Anti-bacterial treatment:	No
Surface protection:	Untreated
Colour:	White
RAL-number (similar):	9010
Transparent:	No
Label space/information surface:	No
Imprint:	None
Suitable for degree of protection (IP):	IP21
Impact strength:	IK00
Device width:	70 mm
Device height:	35 mm
Device depth:	70 mm
Min. depth of built-in installation box:	18 mm
Compatible with Apple HomeKit:	No
Compatible with Google Assistant:	No
Compatible with Amazon Alexa:	No
IFTTT support available:	No

## Product Card

2-gang 1-way push switch, 16A, Jussi, no X-terminals



---

—  
© ABB 2024

Business ID 0763403-0

[www.installationmaterials.com](http://www.installationmaterials.com)

---

—  
Customer service

puh. +358 10 222 1999

[contact.center@fi.abb.com](mailto:contact.center@fi.abb.com)

---

—  
ABB Exchange

+358 10 22 11