

## Product Card

2-gang 2-way switch, Jussi, no X-terminals



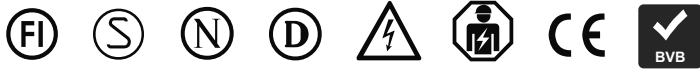
# Switch

2-gang 2-way switch, Jussi, no X-terminals

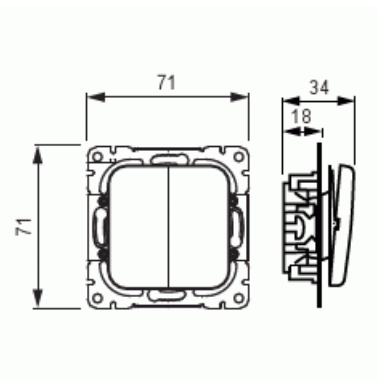
**Type:** 10666U

**Product ID:** 2TKA000182G1

**GTIN:** 6410021060183



Switch with screwless terminals and rocker with clip-on fastening. The terminals are for max 2 rigid wires.



## Technical specification

### Electrical quantities

Nominal voltage:	250 V
Rated current:	16 AX

### Classification

Suitable for degree of protection (IP):	IP21
Protection class:	IP21

### Packing

Package:	10/100
Unit:	PCS

# Product Card

2-gang 2-way switch, Jussi, no X-terminals



## ETIM Data

Wiring system:	Other
Method of operation:	Rocker/button
Assembly arrangement:	Basic element with full cover plate
Push button switch:	No
Number of rockers:	1
Mounting method:	Flush mounted (plaster)
Type of fastening:	Screw mounting
With mounting plate:	No
Material:	Plastic
Material quality:	Thermoplastic
Halogen free:	Yes
Anti-bacterial treatment:	No
Surface protection:	Untreated
Surface finishing:	Matt
Colour:	White
RAL-number (similar):	9010
Label space/information surface:	No
Illumination:	No
Rated current:	16 A
Switching current for fluorescent lamps:	16 AX
Feedback-signal contact:	No
Connection type:	Other
Washing machine switch:	No
Device width:	70 mm
Device height:	70 mm
Device depth:	26 mm
Built-in depth:	18 mm
Min. depth of built-in installation box:	18 mm