

Product Card

2-gang 2-way switch insert, 16AX/250V, no X-terminals, no lamp possibility



Switch insert

2-gang 2-way switch insert, 16AX/250V,
no X-terminals, no lamp possibility

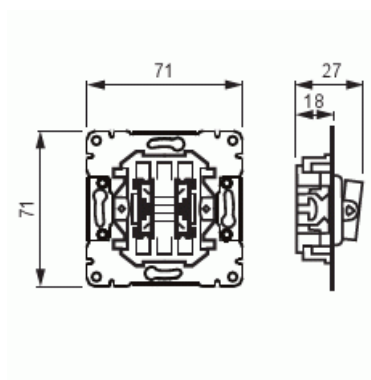
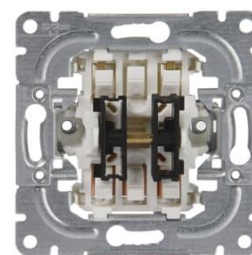
Type: 10666.00

Product ID: 2TKA000179G1

GTIN: 6418677328763



6+6-switch insert without rockers. Rockers 1785-xx and 1785JA-xx are suitable for the insert. The switch does not have X-terminals. No signal light possibility.



Technical specification

Electrical quantities

Nominal voltage:	250 V
Rated current:	16 AX

Classification

Suitable for degree of protection (IP):	IP20
---	------

Packing

Package:	10/100
Unit:	PCS

ETIM Data

© ABB 2024

Business ID 0763403-0

www.installationmaterials.com

Customer service

puh. +358 10 222 1999

contact.center@fi.abb.com

ABB Exchange

+358 10 22 11

Product Card

2-gang 2-way switch insert, 16AX/250V, no X-terminals, no lamp possibility



Wiring system:	Other
Method of operation:	Rocker/button
Assembly arrangement:	Basic element
Push button switch:	No
Number of rockers:	1
Mounting method:	Flush mounted (plaster)
Type of fastening:	Screw mounting
With mounting plate:	No
Material:	Plastic
Material quality:	Thermoplastic
Halogen free:	Yes
Anti-bacterial treatment:	No
Surface protection:	Galvanized
Colour:	Stainless steel
Label space/information surface:	No
Illumination:	No
Rated current:	16 A
Switching current for fluorescent lamps:	16 AX
Feedback-signal contact:	No
Connection type:	Other
Washing machine switch:	No
Device width:	70 mm
Device height:	70 mm
Device depth:	26 mm
Built-in depth:	18 mm
Min. depth of built-in installation box:	18 mm