

Product Card

2-gang 1-way switch, Jussi, no X-terminals



Switch

2-gang 1-way switch, Jussi, no X-terminals

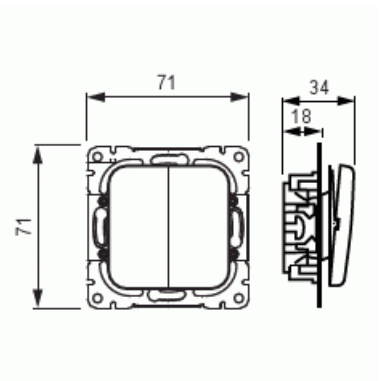
Type: 1065U

Product ID: 2TKA000167G1

GTIN: 6410021060152



Switch with screwless terminals and rocker with clip-on fastening. The terminals are for max 2 rigid wires.



Technical specification

Electrical quantities

| | |
|------------------|-------|
| Nominal voltage: | 250 V |
| Rated current: | 16 AX |

Classification

| | |
|---|------|
| Suitable for degree of protection (IP): | IP21 |
| Protection class: | IP21 |

Packing

| | |
|----------|--------|
| Package: | 10/100 |
| Unit: | PCS |

Product Card

2-gang 1-way switch, Jussi, no X-terminals



ETIM Data

| | |
|--|--|
| Wiring system: | Other |
| Method of operation: | Rocker/button |
| Assembly arrangement: | Basic element with central cover plate |
| Push button switch: | No |
| Number of rockers: | 2 |
| Mounting method: | Flush mounted (plaster) |
| Type of fastening: | Screw mounting |
| With mounting plate: | No |
| Material: | Plastic |
| Material quality: | Thermoplastic |
| Halogen free: | Yes |
| Anti-bacterial treatment: | No |
| Surface protection: | Untreated |
| Surface finishing: | Matt |
| Colour: | White |
| RAL-number (similar): | 9010 |
| Label space/information surface: | No |
| Illumination: | No |
| Rated current: | 16 A |
| Switching current for fluorescent lamps: | 16 AX |
| Feedback-signal contact: | No |
| Connection type: | Other |
| Washing machine switch: | No |
| Device width: | 70 mm |
| Device height: | 40 mm |
| Device depth: | 70 mm |
| Built-in depth: | 18 mm |
| Min. depth of built-in installation box: | 18 mm |