

Product Card

2-pole 1-gang 1-way switch, Jussi, no X-terminals, red lens, "1/0" symbol, incl.lamp



Switch

2-pole 1-gang 1-way switch, Jussi, no X-terminals, red lens, "1/0" symbol, incl.lamp



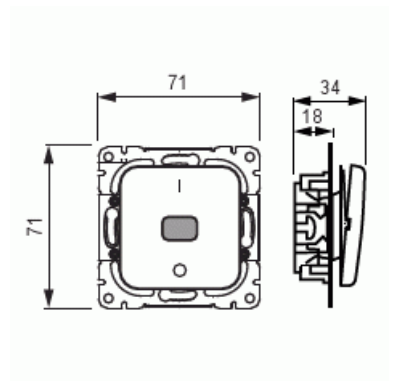
Type: 1062UK

Product ID: 2TKA000143G1

GTIN: 6410021060145



Switch with screwless terminals and rocker with clip-on fastening. The terminals are for max 2 rigid wires. Lamp included



Technical specification

Electrical quantities

Rated current:	16 AX
Rated voltage:	250 V

Classification

Protection class:	IP21
-------------------	------

Packing

Package:	10/100
Unit:	PCS

ETIM Data

© ABB 2024

Business ID 0763403-0

www.installationmaterials.com

Customer service

puh. +358 10 222 1999

contact.center@fi.abb.com

ABB Exchange

+358 10 22 11

Product Card

2-pole 1-gang 1-way switch, Jussi, no X-terminals, red lens, "1/0" symbol, incl.lamp



Wiring system:	Series switch
Method of operation:	Rocker/button
Assembly arrangement:	Basic element with complete housing
Push button switch:	No
Number of rockers:	2
Mounting method:	Flush mounted (plaster)
Type of fastening:	Screw mounting
With mounting plate:	No
Material:	Plastic
Material quality:	Thermoplastic
Halogen free:	Yes
Anti-bacterial treatment:	No
Surface protection:	Untreated
Surface finishing:	Glossy
Colour:	White
RAL-number (similar):	9010
Label space/information surface:	No
Illumination:	No
Suitable for degree of protection (IP):	IP21
Nominal voltage:	250 V
Rated current:	16 A
Switching current for fluorescent lamps:	16 AX
Feedback-signal contact:	No
Connection type:	Other
Washing machine switch:	No
Device width:	70 mm
Device height:	33 mm
Device depth:	85 mm
Built-in depth:	18 mm
Min. depth of built-in installation box:	18 mm