

Product Card

1-gang 1-way switch, Jussi, no X-terminals



Switch

1-gang 1-way switch, Jussi, no X-terminals

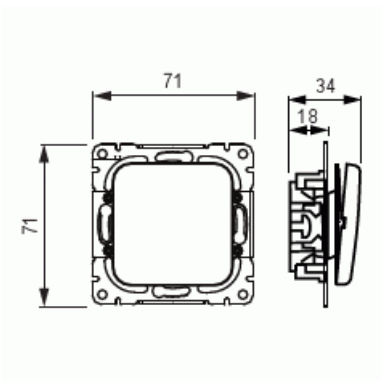
Type: 1061U

Product ID: 2TKA000127G1

GTIN: 6410021060114



Switch with screwless terminals and rocker with clip-on fastening. The terminals are for max 2 rigid wires.



Technical specification

Electrical quantities

Nominal voltage:	250 V
Rated current:	16 AX

Classification

Suitable for degree of protection (IP):	IP21
Protection class:	IP21

Packing

Package:	10/100
Unit:	PCS

Product Card

1-gang 1-way switch, Jussi, no X-terminals



ETIM Data

Wiring system:	Other
Method of operation:	Rocker/button
Assembly arrangement:	Basic element with full cover plate
Push button switch:	No
Number of rockers:	3
Mounting method:	Flush mounted (plaster)
Type of fastening:	Screw mounting
With mounting plate:	No
Material:	Plastic
Material quality:	Thermoplastic
Halogen free:	Yes
Anti-bacterial treatment:	No
Surface protection:	Untreated
Surface finishing:	Glossy
Colour:	White
RAL-number (similar):	9010
Label space/information surface:	No
Illumination:	No
Rated current:	16 A
Switching current for fluorescent lamps:	16 AX
Feedback-signal contact:	No
Connection type:	Other
Washing machine switch:	No
Device width:	70 mm
Device height:	26 mm
Device depth:	70 mm
Built-in depth:	18 mm
Min. depth of built-in installation box:	18 mm