

Product Card

Socket outlet Protective Contact (SCHUKO) White - Saga



Socket outlet

Socket outlet Protective Contact (SCHUKO) White - Saga

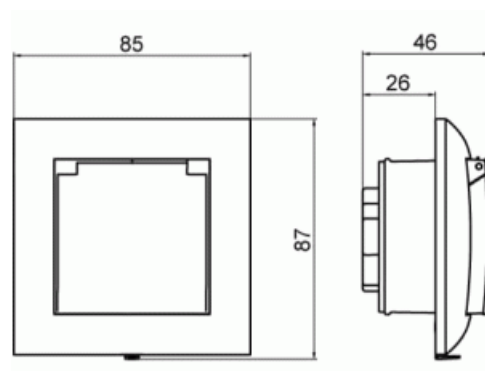
Type: 20EUJW-916

Product ID: 2TKA00005355

GTIN: 6438199014111



The socket outlet is equipped with a lid making it a IP44 class device. There are terminals for each contact of the socket outlet. No X-terminals. The terminals are for max 2 rigid wires. The socket outlet comes with a frame.



Technical specification

Packing

Package:	1/10/1200
Unit:	PCS

ETIM Data

Number of active pins (round):	2
With signal lamp:	No
Number of units:	1
Number of phases:	1
Imprint/indication:	None
Connection type:	Push-in clamp
With hinged lid:	No

Product Card

Socket outlet Protective Contact (SCHUKO) White - Saga



With enhanced contact protection:	Yes
Label space/information surface:	No
Colour:	White
RAL-number (similar):	9003
Metallic colour:	No
Transparent:	No
Lockable:	No
Eject-mechanism:	No
Insulated mounting:	No
With function lighting:	No
With orientation lighting:	No
Over voltage protection:	No
Fault current protection:	No
With miniature fuse:	No
Special power supply:	No special power supply
Mounting method:	Flush mounted (plaster)
Type of fastening:	Mounting with claw and screw
Material:	Plastic
Material quality:	Thermoplastic
Halogen free:	Yes
Surface protection:	Untreated
Surface finishing:	Glossy
Anti-bacterial treatment:	No
With loop through function:	No
With on/off switch:	No
Rotated central insert:	No
Nominal current:	16 A
Nominal voltage:	250 V
Frequency:	50...60 Hz
Suitable for degree of protection (IP):	IP21
Device width:	85 mm
Device height:	85 mm
Device depth:	41 mm
Min. depth of built-in installation box:	28 mm

Product Card

Socket outlet Protective Contact (SCHUKO) White - Saga



—
© ABB 2024

Business ID 0763403-0

www.installationmaterials.com

—
Customer service

puh. +358 10 222 1999

contact.center@fi.abb.com

—
ABB Exchange

+358 10 22 11