

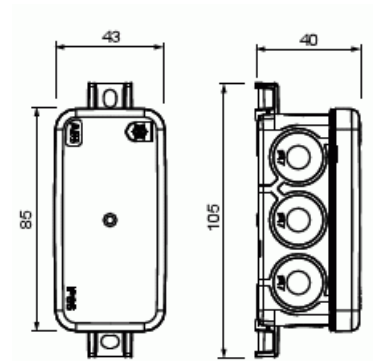
Junction box

Junction box IP65

Type: AP45G

Product ID: 2TKA00005253

GTIN: 6438199012575



Junction box AP45 (2,5 mm², 500 V) is equipped with 8 self-sealing membrane cable entries for cables up to Ø 17 mm and 4 for cables up to Ø 10 mm. The membranes enable easy cable installation by simply inserting the stripped ends through the inlets. The junction box has IP65 protection rating (also after installing the cables). Cover locks by snapping and can be opened by inserting a screwdriver (for example) into the opening slots - no screws are needed. The junction box size is 105x43x40 and it has external fastening points on both sides. The box can be furnished with strain-relief AS9.10. Mounting temperature - 25...+60 °C. Made of halogen free material (IEC/61249-2-21). Hard plastic parts are manufactured from recycled plastic. Color grey (RAL 7035).

Technical specification

Packing

Package:	24/240/2880
Unit:	PCS

ETIM Data

Product Card

Junction box IP65



Equipped with:	None
Shape:	Square
Mounting method:	Universal
Mounting in the soil:	No
Mounting under water:	No
Inlet from the rear:	Yes
Length:	40 mm
Width:	43 mm
Depth:	40 mm
Diameter:	105 mm
Tackable:	No
Number of inlets:	12
Type of housing feed-through:	Seal membrane
Material:	Other
Halogen free:	Yes
Surface protection:	Untreated
Colour:	Grey
Degree of protection (IP):	IP65
Cover model:	Blind cover
Transparent cover:	No
Cover attachment:	Snapped on
Castable:	No
With casting compound:	No
Sealable:	No
Rated insulation voltage Ui:	500 V
With screening:	No
Weatherproof:	Yes
Operating temperature:	-25...60 °C
Explosion-tested version:	No