

Cover frame

Cover frame 1-gang(s) White - Saga

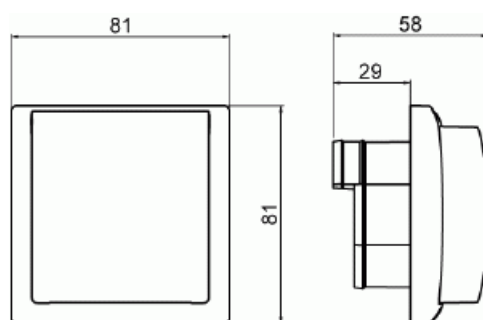
Type: 2518-WD-916

Product ID: 2TKA00005250

GTIN: 6438199012544



Cover frame for 1-gang devices with IP44 protection level.



Technical specification

Packing

Package:	10/100/1200
Unit:	PCS

ETIM Data

Number of units:	1
Mounting direction:	Horizontal and vertical
Number of units horizontal:	1
Number of units vertical:	1
Number of modules horizontal (module system):	1
With mounting grid:	No
Flush-mounted installation:	Yes
Suitable for floor box:	No
Suitable for wall duct:	No

Product Card

Cover frame 1-gang(s) White - Saga



Suitable for built-in installation:	No
Label space/information surface:	No
Material:	Plastic
Material quality:	Thermoplastic
Halogen free:	Yes
Anti-bacterial treatment:	No
Surface protection:	Untreated
Surface finishing:	Glossy
Colour:	White
RAL-number (similar):	9003
Transparent:	No
With hinged lid:	No
Degree of protection (IP):	IP21
Type of fastening:	Clamping/screw mounting
Width:	81 mm
Height:	58 mm
Depth:	81 mm