

# Tele Outlet

Tele outlet - Saga

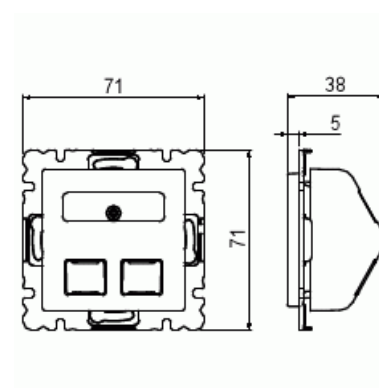
**Type:** FOTM5040-916

**Product ID:** 2TKA00005204

**GTIN:** 6438199012148



RJ45 outlet , 85 mm, for Keystone, Actassi, and AMP connectors.  
Sustainable plastics used. Multi-pack.



## Technical specification

### Packing

Package:	1/1/18
Unit:	PCS

### ETIM Data

Assembly arrangement:	Basic element with central cover plate
Utilization:	Modular Jack
Support ring:	No
With dust cover:	Yes
With hinged lid:	No
Imprintable label:	Without indication field
With imprint:	No

Mounting method:	Flush mounted (plaster)
Material:	Plastic
Material quality:	Thermoplastic
Halogen free:	Yes
Anti-bacterial treatment:	No
Surface protection:	Untreated
Surface finishing:	Glossy
Colour:	White
RAL-number (similar):	9003
Transparent:	No
Type of fastening:	Other
Number of modules (module system):	1
With buses/couplings:	No
Suitable for number of connectors:	2
With strain relief:	No
Shielded buses:	No
Shielded housing:	No
Luster terminal:	No
With lighting:	No
Suitable for degree of protection (IP):	IP20
Device width:	71 mm
Device height:	38 mm
Device depth:	71 mm
Min. depth of built-in installation box:	40 mm