

Product Card

Push switch Without imprint Single push button 1 pole, 0NO 0NC 0CO White - Saga



Push switch

Push switch Without imprint Single push button 1 pole, 0NO 0NC 0CO White - Saga

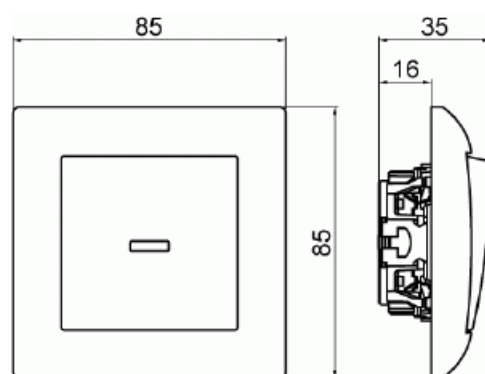
Type: 1466UJ-916

Product ID: 2TKA00005015

GTIN: 6438199011356



Push switch with screwless terminals. The terminals are for max 2 rigid wires. Including cover frame, transparent lens, switch insert and rocker. Bio-circular plastics used in the frame.



Technical specification

Electrical quantities

Nominal voltage: 250 V

Classification

Suitable for degree of protection (IP): IP20

Packing

Package: 10/100/1200

Unit: PCS

ETIM Data

Assembly arrangement: Basic element with central cover plate

Product Card

Push switch Without imprint Single push button 1 pole, 0NO 0NC 0CO White - Saga



Model:	Single push button
Method of operation:	Push button
Contactless type:	No
Number of rockers:	1
Number of poles:	1
Rated current:	16 A
With lighting:	No
With light source:	Yes
With signal lamp:	Yes
Feedback-signal contact:	No
Connection type:	Push-in clamp
Mounting method:	Flush mounted (plaster)
Type of fastening:	Screw mounting
Material:	Plastic
Material quality:	Thermoplastic
Halogen free:	Yes
Anti-bacterial treatment:	No
Surface protection:	Untreated
Surface finishing:	Glossy
Colour:	White
RAL-number (similar):	9003
Transparent:	No
Label space/information surface:	No
Impact strength:	IK00
Device width:	85 mm
Device height:	35 mm
Device depth:	85 mm
Min. depth of built-in installation box:	18 mm
Compatible with Apple HomeKit:	Yes
Compatible with Google Assistant:	Yes
Compatible with Amazon Alexa:	Yes
IFTTT support available:	Yes