

Push button

Push switch - Saga

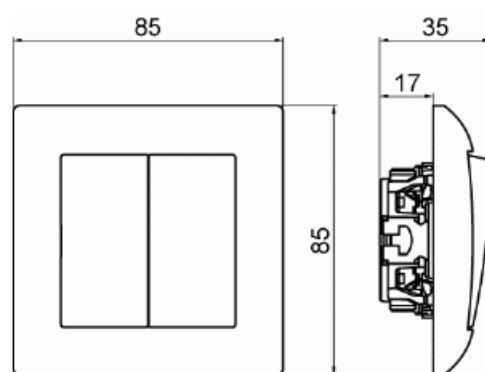
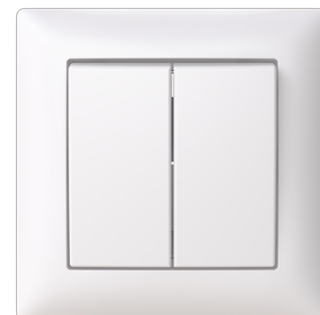
Type: 1465UJ-916

Product ID: 2TKA00005013

GTIN: 6438199011332



Push switch with screwless terminals. The terminals are for max 2 rigid wires. Sustainable plastics used. Including cover frame, switch insert and rocker.



Technical specification

Packing

Package:	10/100/1200
Unit:	PCS

ETIM Data

Assembly arrangement:	Basic element with central cover plate
Model:	Series push button
Method of operation:	Push button
Number of contacts as normally open contact:	1
Contactless type:	No
Number of rockers:	2
Number of poles:	1
Nominal voltage:	250 V

Rated current:	10 A
With lighting:	No
With light source:	No
With signal lamp:	No
Feedback-signal contact:	No
Connection type:	Push-in clamp
Mounting method:	Flush mounted (plaster)
Type of fastening:	Screw mounting
Material:	Plastic
Material quality:	Thermoplastic
Halogen free:	Yes
Anti-bacterial treatment:	No
Surface protection:	Untreated
Surface finishing:	Glossy
Colour:	White
RAL-number (similar):	9003
Transparent:	No
Label space/information surface:	No
Imprint:	None
Suitable for degree of protection (IP):	IP21
Impact strength:	IK00
Device width:	85 mm
Device height:	35 mm
Device depth:	85 mm
Min. depth of built-in installation box:	18 mm
Compatible with Apple HomeKit:	No
Compatible with Google Assistant:	No
Compatible with Amazon Alexa:	No
IFTTT support available:	No