

## Product Card

Switch Intermediate switch White - Saga



# Switch

Switch Intermediate switch White - Saga

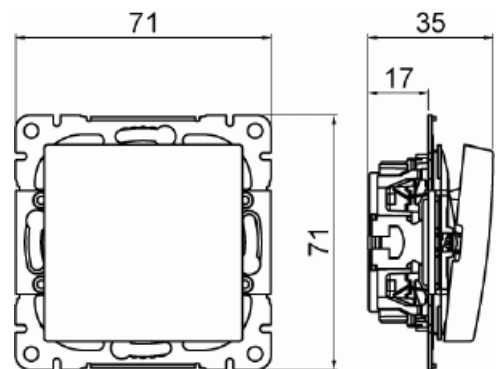
**Type:** 1067UC-916

**Product ID:** 2TKA00005007

**GTIN:** 6438199011271



Switch with screwless terminals and 2 X-terminals. The terminals are for max 2 rigid wires. Including switch insert and rocker.



## Technical specification

### Electrical quantities

Nominal voltage: 250 V

### Classification

Suitable for degree of protection (IP): IP21

### Packing

Package: 1/100/100/1800

Unit: PCS

### ETIM Data

Wiring system: Intermediate switch

# Product Card

Switch Intermediate switch White - Saga



Method of operation:	Rocker/button
Assembly arrangement:	Basic element with central cover plate
Push button switch:	No
Number of rockers:	1
Mounting method:	Flush mounted (plaster)
Type of fastening:	Screw mounting
With mounting plate:	No
Material:	Plastic
Material quality:	Thermoplastic
Halogen free:	Yes
Anti-bacterial treatment:	No
Surface protection:	Untreated
Surface finishing:	Glossy
Colour:	White
RAL-number (similar):	9003
Label space/information surface:	No
Illumination:	No
Rated current:	16 A
Switching current for fluorescent lamps:	16 AX
Feedback-signal contact:	No
Connection type:	Other
Washing machine switch:	No
Device width:	71 mm
Device height:	35 mm
Device depth:	71 mm
Built-in depth:	17 mm
Min. depth of built-in installation box:	17 mm
Compatible with Apple HomeKit:	No
Compatible with Google Assistant:	No
Compatible with Amazon Alexa:	No
IFTTT support available:	No