

Product Card

Switch 2-pole switch with Glow lamp White - Saga



Switch

Switch 2-pole switch with Glow lamp
White - Saga

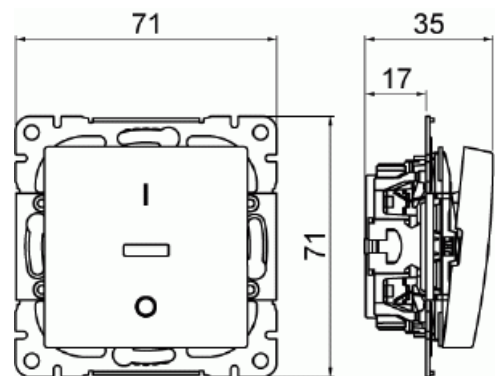
Type: 1062UCK-916

Product ID: 2TKA00004991

GTIN: 6438199011110



Switch with screwless terminals and rocker with clip-on fastening. The terminals are for max 2 rigid wires. Red lens on the switch and lamp included.



Technical specification

Electrical quantities

Nominal voltage: 250 V

Classification

Suitable for degree of protection (IP): IP21

Packing

Package: 1/10/100/1800

Unit: PCS

ETIM Data

Wiring system: 2-pole switch

© ABB 2024

Business ID 0763403-0

www.installationmaterials.com

Customer service

puh. +358 10 222 1999

contact.center@fi.abb.com

ABB Exchange

+358 10 22 11

Product Card

Switch 2-pole switch with Glow lamp White - Saga



Method of operation:	Rocker/button
Assembly arrangement:	Basic element with central cover plate
Push button switch:	No
Number of rockers:	2
Mounting method:	Flush mounted (plaster)
Type of fastening:	Screw mounting
With mounting plate:	No
Material:	Plastic
Material quality:	Thermoplastic
Halogen free:	Yes
Anti-bacterial treatment:	No
Surface protection:	Untreated
Surface finishing:	Glossy
Colour:	White
RAL-number (similar):	9003
Label space/information surface:	No
Illumination:	Yes
Function lighting:	Other
Type of lighting:	Glow lamp
Rated current:	16 A
Switching current for fluorescent lamps:	16 AX
Feedback-signal contact:	No
Connection type:	Other
Washing machine switch:	No
Device width:	71 mm
Device height:	35 mm
Device depth:	71 mm
Built-in depth:	17 mm
Min. depth of built-in installation box:	17 mm
Compatible with Apple HomeKit:	No
Compatible with Google Assistant:	No
Compatible with Amazon Alexa:	No
IFTTT support available:	No

Product Card

Switch 2-pole switch with Glow lamp White - Saga



—
© ABB 2024

Business ID 0763403-0

www.installationmaterials.com

—
Customer service

puh. +358 10 222 1999

contact.center@fi.abb.com

—
ABB Exchange

+358 10 22 11