

Center plate

Center plate SAT 2 gang White - Saga

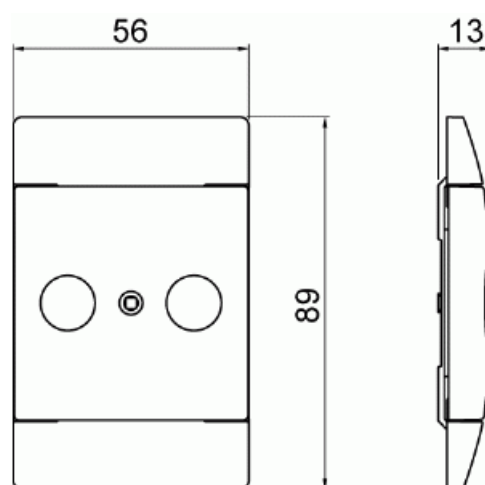
Type: 2531-100-916

Product ID: 2TKA00004987

GTIN: 6438199011073



Center plate for antenna outlet inserts with or without satellite connector. Use with 100 mm cover frames. Bio-circular plastics used in the adapter.



Technical specification

Packing

Package:	1/10/100/1800
Unit:	PCS

ETIM Data

Assembly arrangement:	Central cover plate
Utilization:	SAT
Support ring:	No
With dust cover:	No
With hinged lid:	No

Product Card

Center plate SAT 2 gang White - Saga



Outlet direction:	Straight
Imprintable label:	Without indication field
With imprint:	No
Mounting method:	Flush mounted (plaster)
Material:	Plastic
Material quality:	Thermoplastic
Halogen free:	Yes
Anti-bacterial treatment:	No
Surface protection:	Untreated
Surface finishing:	Glossy
Colour:	White
RAL-number (similar):	9003
Transparent:	No
Type of fastening:	Other
Number of modules (module system):	1
With buses/couplings:	No
Suitable for number of connectors:	2
With strain relief:	No
Shielded buses:	No
Shielded housing:	No
Luster terminal:	No
With lighting:	No
Suitable for degree of protection (IP):	IP20
Device width:	89 mm
Device height:	13 mm
Device depth:	56 mm
Min. depth of built-in installation box:	40 mm