

Push button

Microswitch - Saga

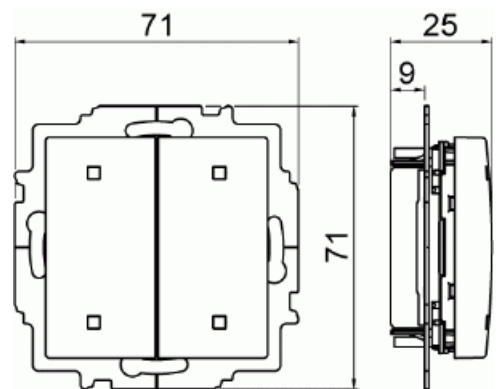
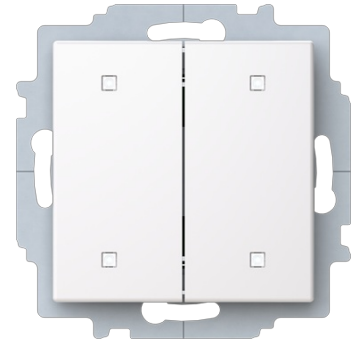
Type: 2052 UC-916

Product ID: 2TKA00004960

GTIN: 6438199010830



Microswitch 4-gang push button. Sustainable plastics used.



Technical specification

Packing

| | |
|----------|---------------|
| Package: | 1/10/100/1800 |
| Unit: | PCS |

ETIM Data

| | |
|-----------------------|--------------------|
| Assembly arrangement: | Basic element |
| Model: | Series push button |
| Method of operation: | Push button |
| Contactless type: | Yes |
| Number of poles: | 1 |
| Nominal voltage: | 24 V |
| Rated current: | 0.05 A |

| | |
|--|-------------------------|
| With lighting: | Yes |
| With light source: | Yes |
| With signal lamp: | Yes |
| Feedback-signal contact: | Yes |
| Connection type: | Screwed terminal |
| Mounting method: | Flush mounted (plaster) |
| Type of fastening: | Screw mounting |
| Material: | Plastic |
| Material quality: | Thermoplastic |
| Halogen free: | Yes |
| Anti-bacterial treatment: | No |
| Surface protection: | Untreated |
| Surface finishing: | Glossy |
| Colour: | White |
| RAL-number (similar): | 9003 |
| Transparent: | No |
| Label space/information surface: | No |
| Imprint: | None |
| Suitable for degree of protection (IP): | IP20 |
| Impact strength: | IK00 |
| Device width: | 71 mm |
| Device height: | 26 mm |
| Device depth: | 71 mm |
| Min. depth of built-in installation box: | 18 mm |
| Compatible with Apple HomeKit: | Yes |
| Compatible with Google Assistant: | Yes |
| Compatible with Amazon Alexa: | Yes |
| IFTTT support available: | Yes |