

# Push button

Microswitch - Saga

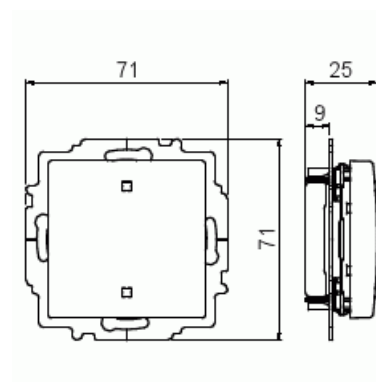
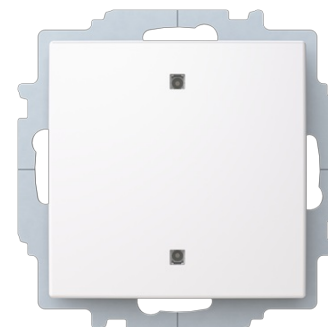
**Type:** 2051 UC-916

**Product ID:** 2TKA00004959

**GTIN:** 6438199010823



Microswitch 2-gang push button. Sustainable plastics used.



## Technical specification

### Packing

Package:	1/10/100/1800
Unit:	PCS

### ETIM Data

Assembly arrangement:	Basic element
Model:	Single push button
Method of operation:	Push button
Contactless type:	Yes
Number of poles:	1
Nominal voltage:	24 V
Rated current:	0.05 A

With lighting:	Yes
With light source:	Yes
With signal lamp:	Yes
Feedback-signal contact:	Yes
Connection type:	Screwed terminal
Mounting method:	Flush mounted (plaster)
Type of fastening:	Screw mounting
Material:	Plastic
Material quality:	Thermoplastic
Halogen free:	Yes
Anti-bacterial treatment:	No
Surface protection:	Untreated
Surface finishing:	Glossy
Colour:	White
RAL-number (similar):	9003
Transparent:	No
Label space/information surface:	No
Imprint:	None
Suitable for degree of protection (IP):	IP20
Impact strength:	IK00
Device width:	71 mm
Device height:	26 mm
Device depth:	71 mm
Min. depth of built-in installation box:	18 mm
Compatible with Apple HomeKit:	Yes
Compatible with Google Assistant:	Yes
Compatible with Amazon Alexa:	Yes
IFTTT support available:	Yes