

Product Card

Center plate Without imprint Switch/push button Central cover plate White - Saga



Center plate

Center plate Without imprint
Switch/push button Central cover plate
White - Saga

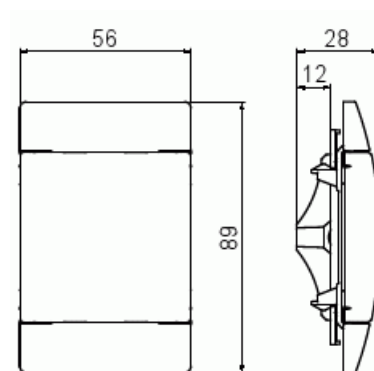
Type: 2538-100-916

Product ID: 2TKA00004885

GTIN: 6438199009728



Enclosed blind plate without screw. It is suitable for the 100 mm cover frames. The surface is glossy and easy to keep clean. Cleaning with a mild, standard household detergent. Bio-circular plastics used in the centre plate and adapter.



Technical specification

Classification

Suitable for degree of protection (IP): IP20

Packing

Package: 1/10/100/1800

Unit: PCS

ETIM Data

Model: Central cover plate

Imprint/indication: None

Scannable symbol/barrier free: No

Utilization: Switch/push button

Product Card

Center plate Without imprint Switch/push button Central cover plate White - Saga



Suitable for touch sensor connector for bus system:	No
Type of fastening:	Screw mounting
Monitoring window/light outlet:	No
Material:	Plastic
Material quality:	Thermoplastic
Halogen free:	Yes
Surface protection:	Untreated
Surface finishing:	Glossy
Anti-bacterial treatment:	No
Colour:	White
RAL-number (similar):	9003
With label area:	No
With exchangeable lens/symbol:	No
Impact strength:	IK00
Width:	63 mm
Height:	90 mm
Depth:	15 mm