

# Socket outlet

Socket outlet - Saga

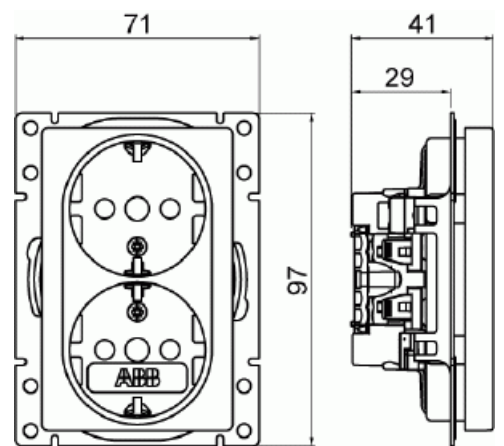
Type: 302EUCT-916

Product ID: 2TKA00004881

GTIN: 6438199009681



Socket outlet of low height with terminals for each contact of the socket outlet for max 4 rigid wires. Sustainable plastics used. No X-terminals. The socket outlet insert without the cover plate is screen-protected.



## Technical specification

### Packing

Package:	10/100/1200
Unit:	PCS

### ETIM Data

Number of active pins (round):	2
With signal lamp:	No
Number of units:	2
Number of phases:	1
Imprint/indication:	None
Connection type:	Push-in clamp

With hinged lid:	No
With enhanced contact protection:	Yes
Label space/information surface:	No
Colour:	White
RAL-number (similar):	9003
Metallic colour:	No
Transparent:	No
Lockable:	No
Eject-mechanism:	No
Insulated mounting:	No
With function lighting:	No
With orientation lighting:	No
Over voltage protection:	No
Fault current protection:	No
With miniature fuse:	No
Special power supply:	No special power supply
Mounting method:	Flush mounted (plaster)
Type of fastening:	Mounting with claw and screw
Material:	Plastic
Material quality:	Thermoplastic
Halogen free:	Yes
Surface protection:	Untreated
Surface finishing:	Glossy
Anti-bacterial treatment:	No
With loop through function:	No
With on/off switch:	No
Rotated central insert:	No
Nominal current:	16 A
Nominal voltage:	250 V
Frequency:	50...60 Hz
Suitable for degree of protection (IP):	IP21
Device width:	97 mm
Device height:	71 mm
Device depth:	41 mm

---

Min. depth of built-in installation box: 30 mm

---