

Product Card

2-pole 1-gang 1-way switch, 16AX/250V, Impressivo, 2 X-terminals, white matt



Switch

2-pole 1-gang 1-way switch, 16AX/250V, Impressivo, 2 X-terminals, white matt

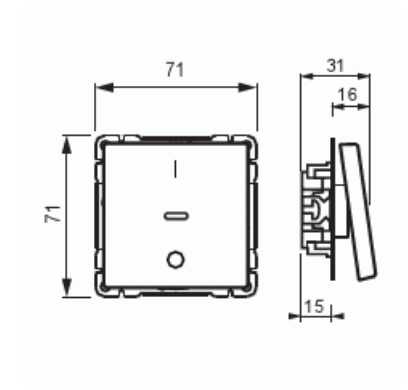
Type: 1062UC-884

Product ID: 2TKA00004862

GTIN: 6438199009506



Switch with screwless terminals. The terminals are for max 2 rigid wires. Including switch insert and rocker.



Technical specification

Electrical quantities

Nominal voltage:	250 V
Rated current:	16 AX

Classification

Suitable for degree of protection (IP):	IP21
Protection class:	IP21

Packing

Package:	1/10/100/1800
Unit:	PCS

Product Card

2-pole 1-gang 1-way switch, 16AX/250V, Impressivo, 2 X-terminals, white matt



ETIM Data

Wiring system:	2-pole switch
Method of operation:	Rocker/button
Assembly arrangement:	Basic element with central cover plate
Push button switch:	No
Number of rockers:	1
Mounting method:	Flush mounted (plaster)
Type of fastening:	Screw mounting
With mounting plate:	No
Material:	Plastic
Material quality:	Thermoplastic
Halogen free:	Yes
Anti-bacterial treatment:	No
Surface protection:	Lacquered
Surface finishing:	Matt
Colour:	White
RAL-number (similar):	9016
Label space/information surface:	No
Illumination:	Yes
Function lighting:	Control and orientation
Type of lighting:	Other
Rated current:	16 A
Switching current for fluorescent lamps:	16 AX
Feedback-signal contact:	No
Connection type:	Other
Heating switch:	No
Washing machine switch:	No
Device width:	70 mm
Device height:	35 mm
Device depth:	71 mm
Built-in depth:	18 mm
Min. depth of built-in installation box:	18 mm

Product Card

2-pole 1-gang 1-way switch, 16AX/250V, Impressivo, 2 X-terminals, white matt



Compatible with Amazon Alexa: No

IFTTT support available: No
