

Product Card

Surface mounting frame, Impressivo, 100mm, h=40mm, 3-gang, white matt



Surf. Mount. frame

Surface mounting frame, Impressivo, 100mm, h=40mm, 3-gang, white matt

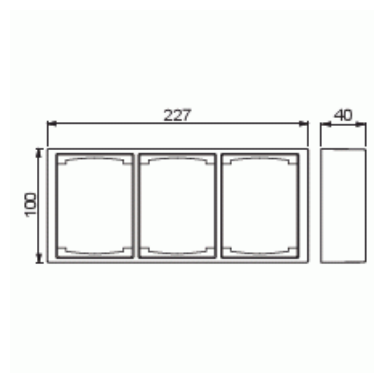
Type: 1723S100-884

Product ID: 2TKA00004857

GTIN: 6438199009452



Impressivo flush mounting products are able to be surface mounted with surface mounting frames and surface mounting box (2456.26). Using center plates with lid the socket outlets are water protected (IP44). The switches and push switches are also water protected (IP44) when using screw mounted rocker frames (2474 or 2475). In the cases of the other products than socket outlets and switches the water protection depends on the water protection of the center plate. The manufacture material is a durable high quality plastic. The surface is glossy and easy to keep clean. Cleaning with a mild, standard household detergent. Be careful when cleaning with a powerful dissolvent.



Technical specification

Packing

Package:	1/25
Unit:	PCS

ETIM Data

Halogen free:	No
Colour:	White
With cable entry:	No
Width:	227 mm
Height:	100 mm
Depth:	40 mm

Product Card

Surface mounting frame, Impressivo, 100mm, h=40mm, 3-gang, white matt

