

## Product Card

Surface mounting frame, Impressivo, 100mm, h=40mm, 1-gang, white matt



# Surf. Mount. frame

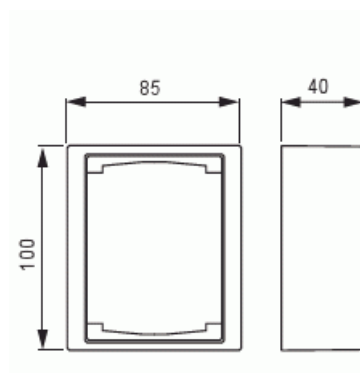
Surface mounting frame, Impressivo, 100mm, h=40mm, 1-gang, white matt

**Type:** 1721S100-884

**Product ID:** 2TKA00004855

**GTIN:** 6438199009438

Impressivo flush mounting products are able to be surface mounted with surface mounting frames and surface mounting box (2456.26). Using center plates with lid the socket outlets are water protected (IP44). The switches and push switches are also water protected (IP44) when using screw mounted rocker frames (2474 or 2475). In the cases of the other products than socket outlets and switches the water protection depends on the water protection of the center plate. The manufacture material is a durable high quality plastic. The surface is glossy and easy to keep clean. Cleaning with a mild, standard household detergent. Be careful when cleaning with a powerful dissolvent.



## Technical specification

### Packing

Package:	1/50
Unit:	PCS

### ETIM Data

Halogen free:	No
Colour:	White
With cable entry:	No
Width:	85 mm
Height:	100 mm
Depth:	40 mm

## Product Card

Surface mounting frame, Impressivo, 100mm, h=40mm, 1-gang, white matt



---

Device width:	85.000
Device height:	100.0
Device depth:	40.00

---