

## Product Card

Surface mounting box, Impressivo, 85mm, 1-gang, lath installation, white matt



# Surface mounting box

Surface mounting box, Impressivo, 85mm, 1-gang, lath installation, white matt

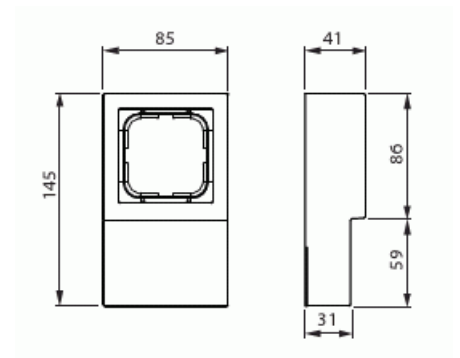
**Type:** 1721L-884

**Product ID:** 2TKA00004854

**GTIN:** 6438199009421



Impressivo flush mounting devices are installed in surface with surface mounting boxes. The box depth is not enough for electronic products, such as dimmers. The material is a durable high quality plastic. The surface is glossy and easy to keep clean. Cleaning with a mild, standard household detergent. Be careful when cleaning with a powerful dissolvent.



## Technical specification

### Classification

Enclosure class:	IP20
------------------	------

### Packing

Package:	1/10
Unit:	PCS

### ETIM Data

Halogen free:	No
Colour:	White
With cable entry:	No

# Product Card

Surface mounting box, Impressivo, 85mm, 1-gang, lath installation, white matt



Width:	145 mm
Height:	41 mm
Depth:	145 mm
Device width:	145.000
Device height:	41.000
Device depth:	145.000