

Product Card

Surface mounting box, Impressivo, 85mm, h=41mm, 1-gang, white matt



Surface mounting box

Surface mounting box, Impressivo, 85mm, h=41mm, 1-gang, white matt

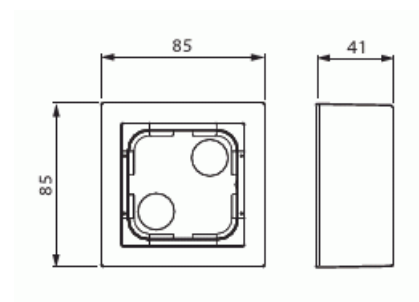
Type: 1721A-884

Product ID: 2TKA00004853

GTIN: 6438199009414

IP20

Impressivo flush mounting devices are installed in surface with surface mounting boxes. The box depth is not enough for electronic products, such as dimmers. The material is a durable high quality plastic. The surface is glossy and easy to keep clean. Cleaning with a mild, standard household detergent. Be careful when cleaning with a powerful dissolvent.



Technical specification

Classification

| | |
|------------------|------|
| Enclosure class: | IP20 |
|------------------|------|

Packing

| | |
|----------|---------------|
| Package: | 1/10/100/1200 |
| Unit: | PCS |

ETIM Data

| | |
|-------------------|-------|
| Halogen free: | No |
| Colour: | White |
| With cable entry: | No |
| Width: | 85 mm |

Product Card

Surface mounting box, Impressivo, 85mm, h=41mm, 1-gang, white matt



| | |
|----------------|--------|
| Height: | 85 mm |
| Depth: | 41 mm |
| Device width: | 85.000 |
| Device height: | 85.000 |
| Device depth: | 41.000 |