

Product Card

Center plate, Impressivo, 2 x RJ45, dust covers, white matt



Center plate

Center plate, Impressivo, 2 x RJ45, dust covers, white matt

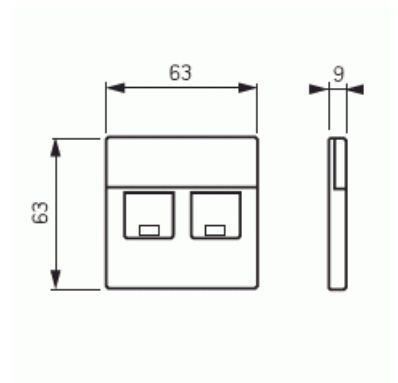
Type: 1819DC-884

Product ID: 2TKA00004842

GTIN: 6438199009353



Center plate for the RJ45 inserts 1819.xx. It is suitable for the 85mm cover frames and with the 2519-xx adapter also for the 100mm cover frames. Manufactured from a durable high quality plastic material. Cleaning with a mild, standard household detergent. Be careful when cleaning with a powerful dissolvent.



Technical specification

Packing

Package:	1/10/100/2800
Unit:	PCS

ETIM Data

Assembly arrangement:	Central cover plate
Utilization:	Modular Jack
Support ring:	No
With dust cover:	No
With hinged lid:	No
Outlet direction:	Straight
Imprintable label:	Imprintable label snap-in in intermediate ring

Product Card

Center plate, Impressivo, 2 x RJ45, dust covers, white matt



With imprint:	No
Mounting method:	Flush mounted (plaster)
Material:	Plastic
Material quality:	Thermoplastic
Halogen free:	No
Anti-bacterial treatment:	No
Surface protection:	Lacquered
Surface finishing:	Matt
Colour:	White
RAL-number (similar):	9016
Transparent:	No
Type of fastening:	Mounting with screw
With strain relief:	No
Shielded buses:	No
Shielded housing:	No
Luster terminal:	No
With lighting:	No
Suitable for degree of protection (IP):	IP20
Impact strength:	IK00
Device width:	63 mm
Device height:	63 mm
Device depth:	63 mm