

Product Card

Switch rocker, Impressivo, 3-gang, white matt



Switch rocker

Switch rocker, Impressivo, 3-gang, white matt

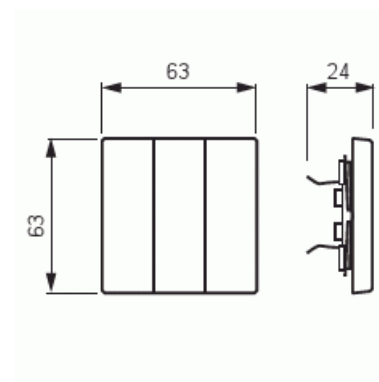
Type: 1783-884

Product ID: 2TKA00004841

GTIN: 6438199009346



3-gang rocker for the 3-rocker switch insert 10631.xx. Can be installed in dry indoor spaces. When flush mounted into humid spaces or outdoors a seal kit and screw fastening of the rocker frame must be used. Manufactured from a durable high quality plastic material. The surface is glossy and easy to keep clean. Cleaning with a mild, standard household detergent. Be careful when cleaning with a powerful dissolvent.



Technical specification

Packing

Package:	1/10/100/2800
Unit:	PCS

ETIM Data

Model:	Three-part rocker
Scannable symbol/barrier free:	No
Utilization:	Switch/push button
Suitable for touch sensor connector for bus system:	No
Type of fastening:	Clamp mounting
Monitoring window/light outlet:	No

Product Card

Switch rocker, Impressivo, 3-gang, white matt



Material:	Plastic
Material quality:	Thermoplastic
Halogen free:	Yes
Surface protection:	Other
Surface finishing:	Glossy
Anti-bacterial treatment:	No
Colour:	White
RAL-number (similar):	9016
With label area:	No
With exchangeable lens/symbol:	No
Suitable for degree of protection (IP):	IP21
Impact strength:	IK00
Width:	63 mm
Height:	63 mm
Depth:	63 mm