

Product Card

Center plate, Impressivo, 100mm, blind, white matt



Center plate

Center plate, Impressivo, 100mm, blind, white matt

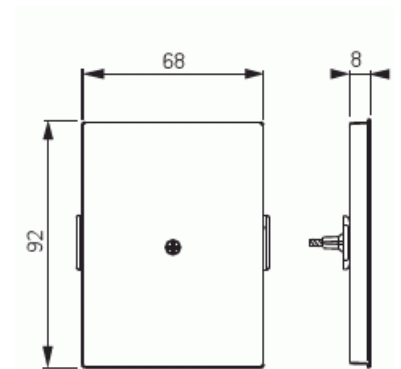
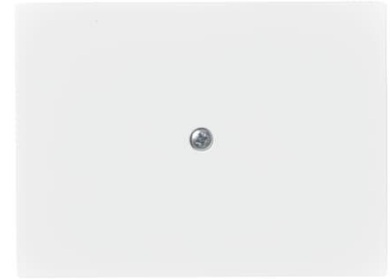
Type: 2538-100-884

Product ID: 2TKA00004840

GTIN: 6438199009339



Enclosed cover plate. It is suitable for the 100mm cover frames. The manufacture material is a durable high quality plastic. The surface is glossy and easy to keep clean. Cleaning with a mild, standard household detergent. Be careful when cleaning with a powerful dissolvent.



Technical specification

Classification

Suitable for degree of protection (IP):	IP21
---	------

Packing

Package:	1/10/100/1800
Unit:	PCS

ETIM Data

Model:	Central cover plate
Scannable symbol/barrier free:	No
Utilization:	Blind plate
Suitable for touch sensor connector for bus system:	No

Product Card

Center plate, Impressivo, 100mm, blind, white matt



Type of fastening:	Screw mounting
Monitoring window/light outlet:	No
Material:	Plastic
Material quality:	Thermoplastic
Halogen free:	Yes
Surface protection:	Lacquered
Surface finishing:	Matt
Anti-bacterial treatment:	No
Colour:	White
RAL-number (similar):	9016
With label area:	No
With exchangeable lens/symbol:	No
Impact strength:	IK00
Width:	63 mm
Height:	63 mm
Depth:	63 mm